

General

This transformer is to be installed in accordance with Article 450 of the National Electric Code. The transformer must be installed in a well-ventilated area free from explosive gases and vapors. Proper operation requires the free flow of air. As this transformer is hardwired, it should only be installed by a qualified electrician.

Precautions Before Installing

Check the label and ensure the transformer has the proper input voltage, output voltage and wattage for the job. Check the wire markings to ensure they match the wiring diagram on this instruction sheet.

Mounting

Select a suitable location capable of supporting the weight of the transformer. Use the two keyholes in the transformer case. It is recommended that the transformer be mounted vertically with the wiring compartment pointing down.

Input Connections/Grounding

Remove the wiring compartment knockouts and install strain reliefs. With power turned off, route the input wires through a strain relief and connect one wire to black and one wire to white. For all wire connections use only UL listed wire nuts and connectors of suitable size and type. The transformer case **MUST** be grounded in accordance with the N.E.C. Connect the ground wire to the transformer green wire.

Output Connections

The X600 transformer can be used for either 12 V lamps or 24 V lamps.

For two 12 V output circuits (2x300 W):

Circuit 1: Bring the 12 V lamp wires in through the open knockout and connect them to the red and yellow transformer wires. (300 W)

Circuit 2: Bring the other 12 V lamp wires in through the open knockout and connect them to the blue and purple transformer wires. (300 W)

For one 24v output circuit (600 W):

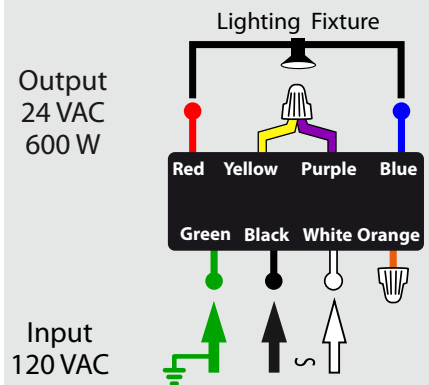
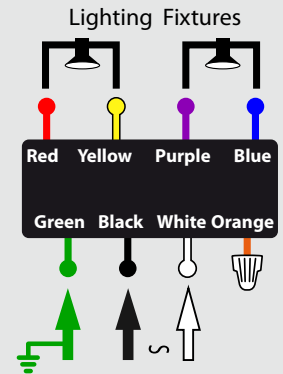
Short the yellow and purple wires. Bring the 24 V lamp wires in through the open knockout and connect them to the red and blue transformer wires. (600 W)

Boost Tap

This transformer is equipped with an optional 10% boost tap which can compensate for voltage drop between the transformer and the lighting fixture. If the fixtures are receiving 10.5 V / 21 V or less, we recommend you connect the boost tap. To use the boost tap, the input wires are connected to the orange and white wire instead of the black and white wire. Make certain the black wire is capped with a wire nut if you use the boost tap. Make certain the orange wire is capped with a wire nut if you do not use the boost tap.

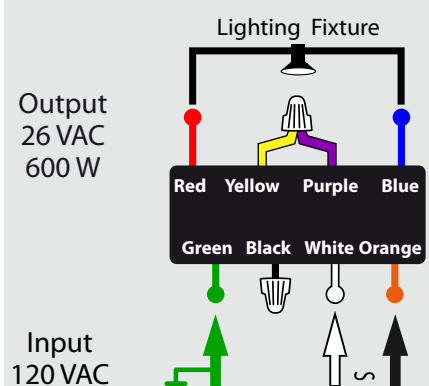
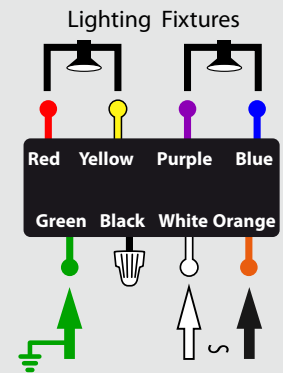
Regular Wiring

Output
12 VAC
600 W



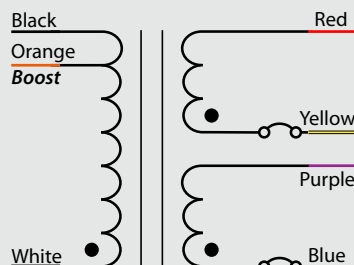
Boost Wiring

Output
13 VAC
600 W



Circuit Diagram

Input
120V 60 Hz



Output
12V / 13V 600 W
24V / 26V 600 W