

M750SOD

Indoor & Outdoor Magnetic Lighting Transformer



Transformer

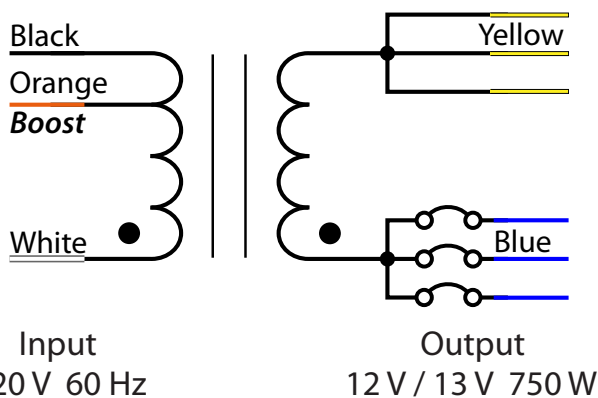
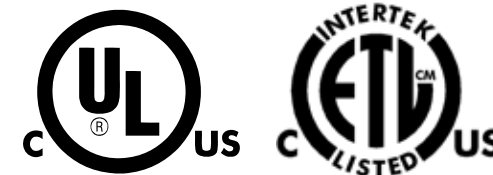
Input leads are 18 AWG. Output leads are 12 AWG. Lead insulation is 105 °C. The transformer uses a class B 130 °C insulation system.

Enclosure

Enclosure temperature will not exceed 70 °C @ 40 °C ambient. Wiring compartment has 3 knockouts sized for 3/4 inch screw cable connectors. The removable cover for the wiring compartment is secured in place by clips. The enclosure is black powder coated.

General

- Manual reset thermal circuit breaker on the secondary side.
- Dimmable with all dimmers that provide a symmetrical form of current wave under any conditions.
- UL listed file # E300404
- UL standard 5085-1
- ETL listed
- CSA listed
- NEMA 3R enclosure



Max Load	750 W
Input Voltage	120 V 60 Hz
Output Voltage Full Load	11.5 V min. 12.5 V min. Boost
Input Current Full Load	6.25 A
Open Circuit Volts	12.5 V / 13.5 V Boost
Open Circuit Current	0.54 A
Output Current Full Load	62.5 A max
Efficiency	91%
Coil Former	Double Section Bobbin
Thermal Class	B 130 °C
Leads Primary	PVC 600 V #18
Leads Secondary	PVC 300 V #12

Dimensions in inches:

Height 9.43"
Width 4.69"
Depth 4.25"

