

X1200SOD

Indoor & Outdoor Magnetic Lighting Transformer

Transformer

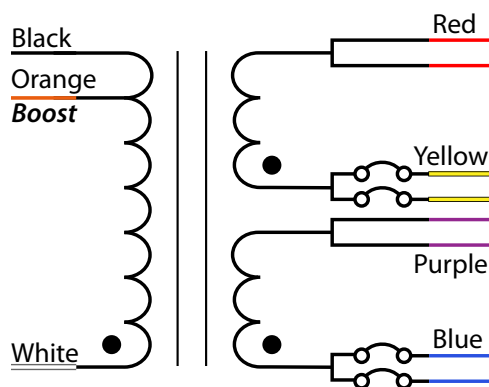
Input leads are 18 AWG. Output leads are 12 AWG. Lead insulation is 105 °C. The transformer uses a class B 130 °C insulation system.

Enclosure

Enclosure temperature will not exceed 70 °C @ 40 °C ambient. Wiring compartment has 4 knockouts sized for 3/4 inch screw cable connectors. The removable cover for the wiring compartment is secured in place by clips. The enclosure is black powder coated.

General

- Manual reset thermal circuit breaker on the secondary side.
- Dimmable with all dimmers that provide a symmetrical form of current wave under any conditions.
- UL listed file # E300404
- UL standard 5085-1
- ETL listed
- CSA listed
- NEMA 3R enclosure



Input
120 V 60 Hz

Output
12 V / 13 V 1200 W
24 V / 26 V 1200 W

Max Load	1200 W
Input Voltage	120 V 60 Hz
Output Voltage Full Load	11.5 / 23 V min. 12.5 / 25 V min. Boost
Input Current Full Load	10.2 A
Open Circuit Volts	12.5 / 25 V. 13.5 / 27 V Boost
Open Circuit Current	0.82 A
Output Current Full Load	50 / 100 A max
Efficiency	94%
Coil Former	Double Section Bobbin
Thermal Class	B 130 °C
Leads Primary	PVC 600 V #18
Leads Secondary	PVC 300 V #12

Dimensions in inches:
Height 10.6"
Width 6.75"
Depth 5.44"

