

Constant Voltage Electronic Phase Dimmable LED Driver

P/N: SLT

The LINDRIVE is an electronic Class 2, phase dimmable LED driver with a low profile hard plastic case making it the perfect choice for lower power tape lighting, kick/cove lighting, under cabinet lighting and multiple other residential and commercial lighting applications. The ETL Listed enclosure utilizes covered, side feed terminal blocks for easy wiring and installation, eliminating the need for a separate junction box. The driver features auto reset, over current and short circuit protection as well as an efficiency over 90% resulting in low operating case temperature. The LINDRIVE SERIES is phase dimmable with leading edge dimmers.

Installation: Terminal Blocks with Side Feed

Driver Type: Class 2 Single Channel

Dimming: Phase Dimmable with Leading Edge Dimmer

Input Voltage: 100VAC - 130VAC, 50/60Hz

Output Voltage: 12VDC or 24VDC

Environmental: Dry and Damp

Listing: ETL Listed

Warranty: 5-Year Warranty



20W
6.10" x 2.12" x 0.78"



40W
7.00" x 2.40" x 0.94"



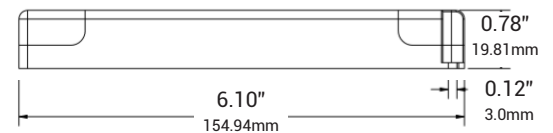
Ordering Guide Example: SLT20L12DC

SLT L DC

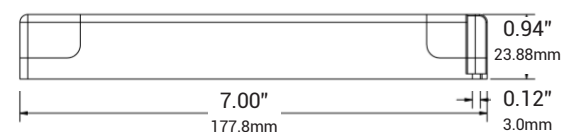
TYPE	MAX POWER	LISTING	OUTPUT
SLT - LINDRIVE SERIES	20 - 20W	L - ETL Listed	12 - 12VDC
	40 - 40W		24 - 24VDC

	20W	40W
LENGTH	6.10" (154.7mm)	7.00" (177.8mm)
MOUNTING LENGTH	5.80" (146.6mm)	6.70" (169.7mm)
WIDTH	2.10" (53.7mm)	2.40" (60.8mm)
HEIGHT	0.80" (20.0mm)	1.00" (24.5mm)

20W SINGLE CHANNEL DRIVER



40W SINGLE CHANNEL DRIVER

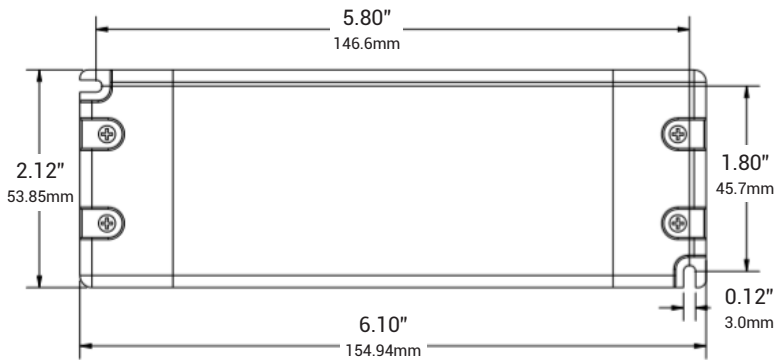
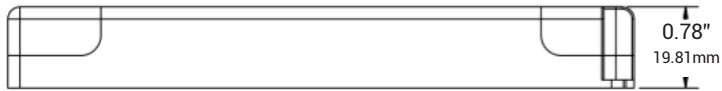


Specifications

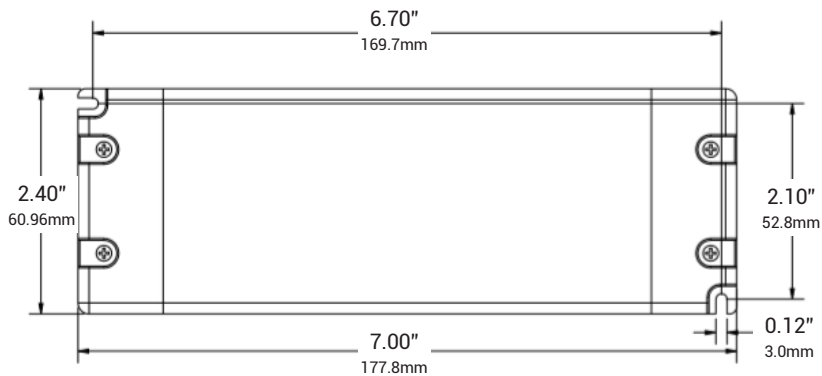
INPUT		
Input Voltage Range	100 - 130VAC	
Input Frequency	47 / 63Hz	47 / 63Hz
Input Current	0.90A@120VAC (12VDC) 0.50A@120VAC (24VDC)	0.9A@120VAC (12VDC) 0.9A@120VAC (24VDC)
Efficiency	> 82% (12VDC) > 82% (24VDC)	> 82% (12VDC) > 82% (24VDC)
Power Factor	>0.65	
OUTPUT		
Max Load	20W	40W
Output Voltage @ Max Load	12.0 VDC 24.0 VDC	12.0 VDC 24.0VDC
Output Current @ Max Load	1.7A (12VDC) 0.84A (24VDC)	3.33A (12VDC) 1.70A (24VDC)
ENVIRONMENTAL		
Ambient Operating Temperature	-25°C - +45°C (-13°F - 113°F)	
DIMMING		
Minimum Dimming Level	10%	10%
PROTECTION		
Over Voltage Protection	Hiccup	Hiccup
Over Current Protection	Hiccup	Hiccup
Short Circuit Protection	Hiccup	Hiccup
MECHANICAL HOUSING		
Connector Type	14 - 26 AWG	14 - 26 AWG
Length	6.10" (154.94mm)	7.00" (177.8mm)
Width	2.12" (53.85mm)	2.40" (60.96mm)
Height	0.78" (19.81mm)	0.94" (23.88mm)
Weight	7oz (198g)	11oz (312g)
Housing Material	ABS	ABS
Housing Color	Blue	Blue
Mounting	Two half hole flange mount	
APPROVAL MARKINGS		
Certificates / Approval Signs	ETL Listed	ETL Listed

Mechanical Diagram

20W Single Channel Driver

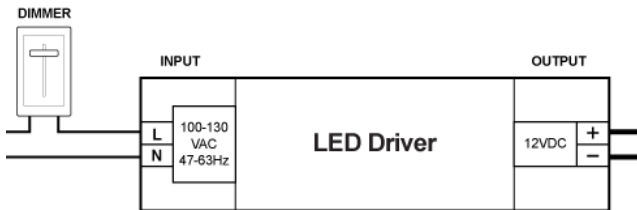


40W Single Channel Driver



Wiring Diagram

12VDC OUTPUT



24VDC OUTPUT

