

P/N: T

## Constant Voltage Magnetic Phase Dimmable LED Driver | Multi-Channel

The T-SERIES is a multi-channel Class 2 magnetic dimmable LED driver making it the perfect choice for multi-output needs in tape lighting, tube lighting, linear lighting and multiple other residential and commercial lighting applications. Encased in a high-quality metal enclosure that includes five 7/8" knock-outs for easy installation, each unit is equipped with push-to-reset breakers, one on the input and one on each output, to protect both the driver and the LED load. All our magnetic LED drivers are phase dimmable with a standard leading edge MLV TRIAC dimmer.

- Installation:** Integrated Junction Box with Multiple 7/8" Knock-Outs
- Driver Type:** Class 2 Multi-Channel
- Dimming:** Phase Dimmable with Leading (Forward) Edge MLV TRIAC Dimmer Only
- Input Voltage:** 120VAC, 50/60Hz
- Output Voltage:** 12VDC or 24VDC
- Environmental:** Dry and Damp
- Listing:** ETL Listed
- Certifications:** Conforms to UL8750, C22.2 NO. 223
- Warranty:** 5-Year Warranty



## Ordering Guide Example: T288L24DC

T      L      DC

TYPE	MAX POWER	LISTING	OUTPUT
T - T-SERIES	180 - 180W	L - ETL Listed	12 - 12VDC
	300 - 300W		
	288 <sup>1</sup> - 288W		24 - 24VDC
	<sup>1</sup> 24VDC only		

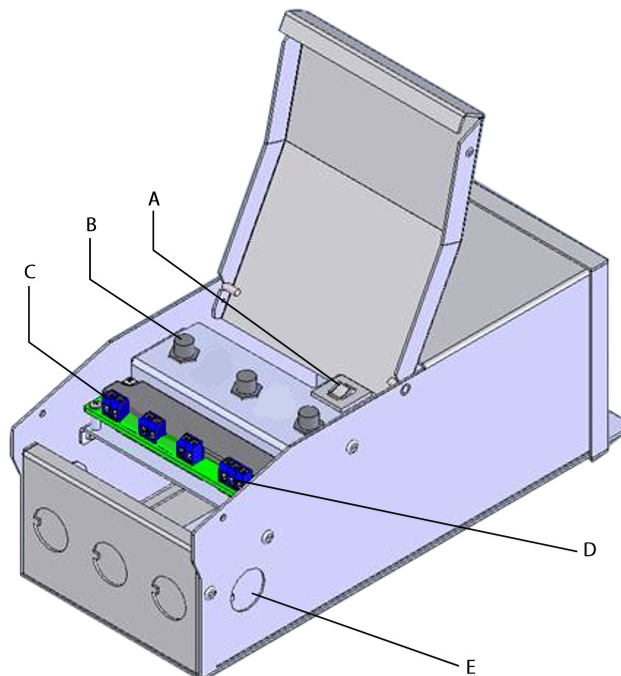
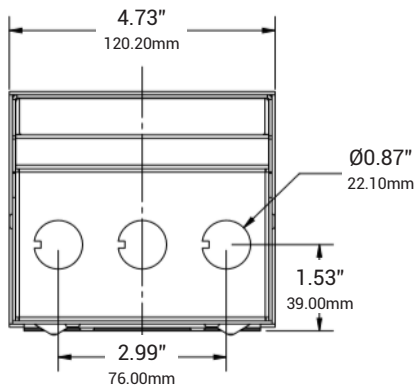
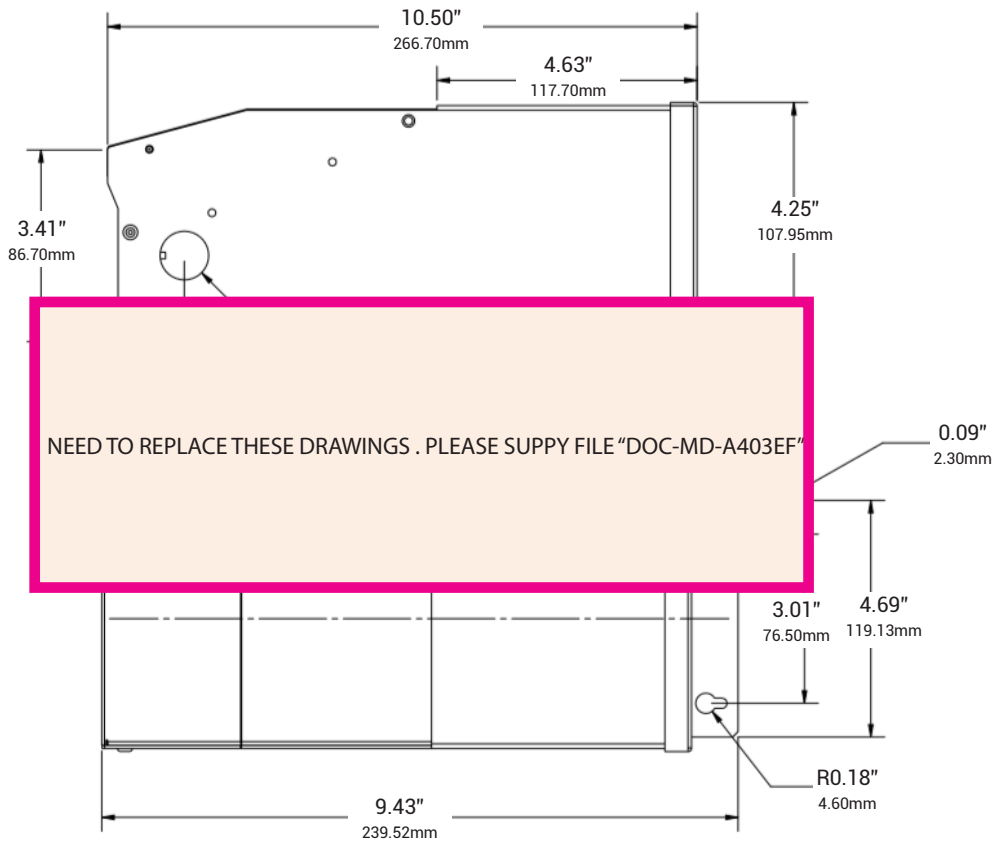
DIMENSIONS	
LENGTH	11.33" (287.9mm)
WIDTH	4.73" (120.2mm)
HEIGHT	4.26" (108.2mm)

## Specifications

INPUT			
Input Voltage Range	120VAC / VDC ± 5%		
Input Frequency	50 / 60Hz		
Input Current	2.10A (12VDC)	2.86A (12VDC)	3.40A (24VDC)
Efficiency	> 81% (12VDC)	> 80% (12VDC)	> 80% (24VDC)
Power Factor	> 0.92(12VDC)	> 0.93(12VDC)	> 0.90(24VDC)
OUTPUT			
Max Load	180W	300W	288W
Output Voltage @ Max Load	12.0 VDC	12.0 VDC	24.0 VDC
Output Current @ Max Load	5.00A per port (12VDC)	5.00A per port (12VDC)	4.00A per port (24VDC)
Open Circuit Output Voltage	12.8 VDC	12.8 VDC	24.5 VDC
ENVIRONMENTAL			
Operating Temperature	-30°C - +40°C (-22°F - 104°F)		
Min. Installation Spacing	5"		
Thermal Class	B130°C		
DIMMING			
Minimum Dimming Level	1%		
PROTECTION			
Circuit Breaker	Primary & Secondary push-to-reset	Primary & Secondary push-to-reset	Primary & Secondary push-to-reset
MECHANICAL HOUSING			
Primary Leads	Terminal Blocks	Terminal Blocks	Terminal Blocks
Secondary Leads	Terminal Blocks	Terminal Blocks	Terminal Blocks
Length	11.33" (289.9mm)	11.33" (289.9mm)	11.33" (289.9mm)
Width	4.73" (120.2mm)	4.73" (120.2mm)	4.73" (120.2mm)
Height	4.26" (108.2mm)	4.26" (108.2mm)	4.26" (108.2mm)
Weight	15 lbs	15 lbs	15 lbs
Housing Material	Coated Metal	Coated Metal	Coated Metal
Housing Color	Black	Black	Black
Junction Box	Yes	Yes	Yes
Mounting	Two hole flange mount	Two hole flange mount	Two hole flange mount
APPROVAL MARKINGS			
Certificates / Approval Signs	ETL Listed, Class 2 Outputs		

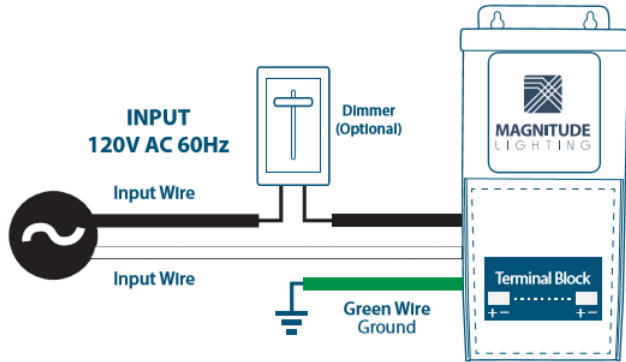
## Mechanical Diagram

180W / 288W / 300W



- A Primary circuit breaker
- B Secondary circuit breaker
- C Output terminal block
- D Input terminal block
- E Knockout holes

## Wiring Diagram



NEED TO ADD DIAGRAM TO MAKE TERMINAL BLOCK PINOUT  
PLEASE SUPPLY FILE "MCEP8NO20840"